



CE SAA



CB



RoHS

DESCRIPTION

The LUMA series comprises the latest cutting edge technology in light distribution design. The smooth design is engineered to look contemporary whilst preventing dirt from collecting on the luminaire to ensure a cleaner light and longer life span. With quick assembly and parts easy to replace, the the LUMA will require very little for future maintenance.

KEY FEATURES

- Lumen packages between 9000lm and 22,500lm .
- Smooth sytlish design which helps prevent dust and moisture collecting on the luminaire to achieve a clean fitting and longer life span.
- Intellegent control options to help reduce running costs and extend life span.
- IP66 and IK08.
- Multiple light distribution options.
- Replaceable parts.
- 3 way mounting options.
- Tool free maintenance.

APPLICATIONS

- Area Lighting
- Street lighting
- Outdoor and Logistic Areas
- Outdoor car parks
- Motorways

ELECTRICAL INFORMATION

Model No.	LSL-60	LSL-150
Power Consumption (±5%)	60W	150W
Power Supply	MeanWell	
Input Voltage	100-240 VAC 50 / 60 Hz	
Power Factor	≥0.95	
Surge Protection	10KV / 20KV	
Driver Type	Constant Current (CC)	
Control	Dimmable 1-10V, DALI	

OPTIC INFORMATION

LED Type	Lumileds 3030/Lumileds 5050		
Luminous Flux (±10%)	9,000lm	22,500lm	
Efficacy (5000K Ra70)	150lm/W		
Correlated Colour Temperature	5000K (3000K, 4000K optional)		
Colour Rendering Index	Ra70 (Ra80 optional)		
Beam Angle	T2M	T3M	T4M

DIMENSIONS AND MOUNT

Product DIMENSIONS	533.2x113.2mm	629.9x127.7mm	
Luminaire Net Weight	3.3kg±0.3kg	4.8kg±0.3kg	
Export Carton Size	588x243x185mm	685x307x185mm	
Gross Weight	4.3kg±0.3kg	5.8kg±0.3kg	
Mounting Option	Pole mounting		
Material	Aluminium Alloy		
	Polycarbonate Optical Lens		
Finish	Powder Coating		
Fixture Colour	Grey		
EPA	NA		
IK Rating	IK09		
IP Rating	IP66		

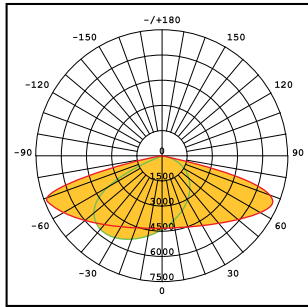
LIFESPAN AND WARRANTY

Operating Temperature	-30°C to + 45°C
Life Time of LED @Ta=25°C	122,000hrs - L70
Warranty	7 Years

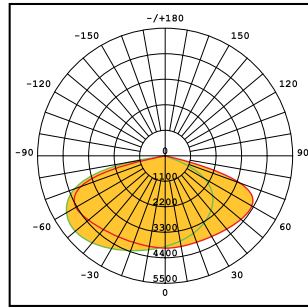
NEW FEATURES

* Please consult us for details.	
----------------------------------	--

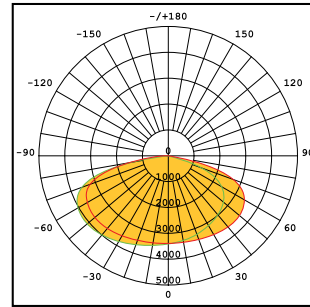
PHOTOMETRY



T2M



T3M

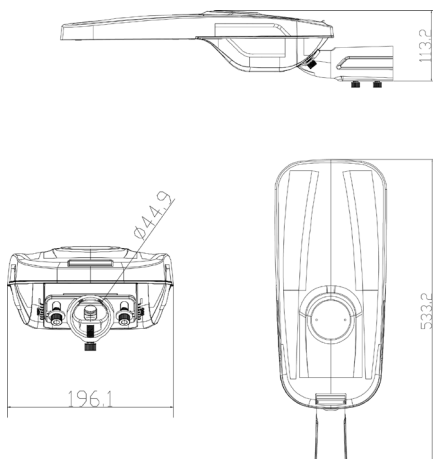


T4M

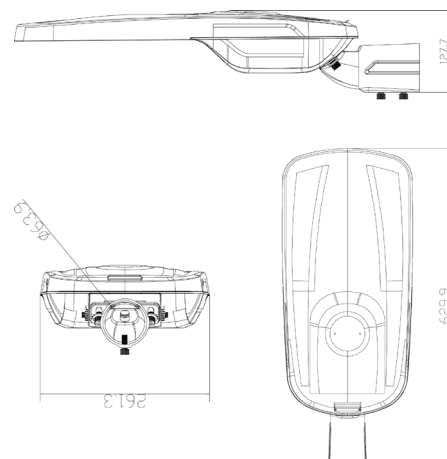
MOUNTING OPTIONS



DIMENSIONS



25W / 30W / 50W / 60W / 75W



150W / 180W

PRODUCT ORDERING CODES (LSL)

SERIES	POWER	CCT (K)	OPTICS	CONTROL	EMERGENCY	ACCESSORY / MOUNT	FINISH
LSL	60W	5	T2M	DA (DALI)		P (POLE)	G (GREY)
	150W		T3M	D (DIMMING 1-10V)			
			T4M				

Example ordering code for: 150w, 5k, T2M, Dimming, pole, grey

PRODUCT CODE: LSL150T2MDPG

PRODUCT NAME: LUMA