



### DESCRIPTION

Our URBANO post-top urban landscape light offers exceptional design, performance and value. This versatile 360-degree luminaire can be tailored to the unique specifications of projects by offering multiple led boards and wattages. Manufactured with design and functionality at the forefront, energy efficiency is enhanced with optional dimming, programmable drivers, and an outdoor control system. With dark sky friendly design features the URBANO will meet your project's highest demands.

### KEY FEATURES

- 360° coverage
- CCT change option.
- Ultra low glare version available.
- Power selectable dipswitch for 30%, 50%, 75% and 100% illumination,
- Dali sensor and photocell control options.
- Contemporary architectural design
- 360° coverage

### APPLICATIONS

- Residential Gardens
- Open Outdoor Spaces
- Urban Landscapes

ELECTRICAL INFORMATION	
Model No.	LXGLD
Power Consumption (±5%)	40W 60W
Power Supply	MOSO/SOSEN
Input Voltage	100-240 VAC , 50 / 60 Hz
Power Factor	>0.92
Surge Protection	4kV line-line, 6kV line-earth
Driver Type	Constant Current (CC)
Control	1-10v Dimming, DALI, Microwave sensor Zhaga, Photocell control

OPTIC INFORMATION	
LED Type	LED 3030
Luminous Flux (±10%)	4800lm/5400lm 7200lm/8100lm
Efficacy (5000K Ra70)	120lm/W (milky PC cover) 135lm/W (Clear optic lens)
Correlated Colour Temperature	4000K (3000K,5000K optional)
Colour Rendering Index	Ra70 (Ra80 optional)
Beam Angle	180° 104.3° 47X150° 156X156° 201.7° ( Indirect Lighting )
UGR level	

DIMENSIONS AND MOUNT	
Product Dimension	371*420mm
Luminaire Net Weight	4.6±0.3kg
Export Carton Size	450x450x535mm
Gross Weight	6.1±0.3kg
Mounting Option	Post top
Material	Aluminium alloy Polycarbonate optical lens
Finish	Powder coating
Fixture Colour	Black (RAL9017)
EPA	0.98ft²/0.09m²
IK Rating	IK09
IP Rating	IP66

LIFESPAN AND WARRANTY	
Operating Temperature	-30°C to + 50°C
Life Time of LED @Ta=25°C	54000hrs-L90 82000hrs-L80 131000hrs-L70
Warranty	5 Years

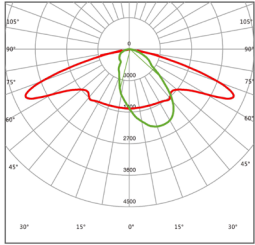
### NEW FEATURES

- 3 CCT Available
- Power Selectable, available for 30%, 50%, 75% and 100%.
- The CCT could be set to Cool White, Natural White and Warm White.
- Please select a suitable Power and CCT by the switch.

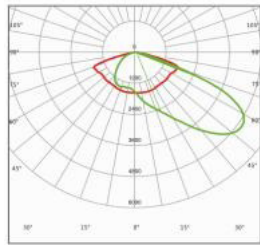
*\* Please consult us for details.*

### PHOTOMETRY

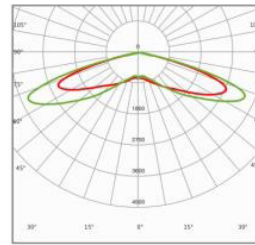
#### Direct Lighting



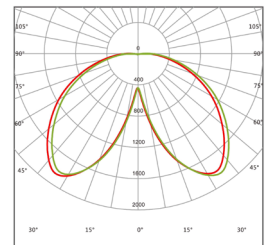
104.3°



47x150°

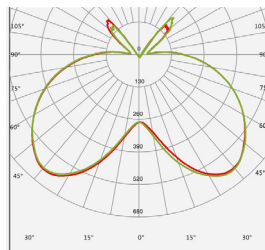


156x156°



180°

#### Indirect Lighting



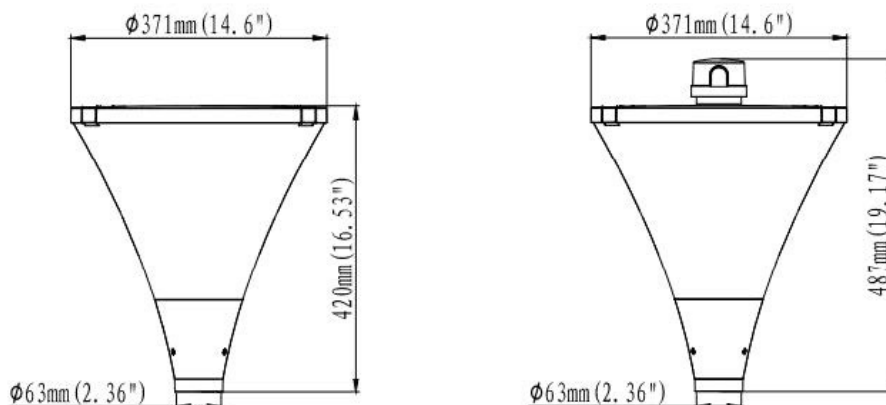
201.7°

### Mounting Options



Post Top Mounting

### Dimensions



### ACCESSORIES



#### Photocell Controller

ANSI C136.10-1996 twistlock for On-Off function only

### PRODUCT ORDERING CODES (URBANO)

SERIES	POWER	CCT (K)	OPTICS	CONTROL	EMERGENCY	MOUNT	ACCESSORY	FINISH
LXGLD	40w	3000	180°	DA (DALI)		P (POST TOP)		B (BLACK)
	60w	4000	104.3°	D (DIMMING 01-10v)				
		5000	47X150°	PC (PHOTOCELL)				
			156X156°	M (MICROWAVE SENSOR)				

Example ordering code for 60w, 4k, 180° dimming, post top, black

PRODUCT CODE: LXGLD604180DPB

PRODUCT NAME: URBANO