



ELECTRICAL INFORMATION			
Model No.	LHBR100	LHBR150	LHBR180
Power Consumption (±5%)	100w	150W	180W
Power Supply	Meanwell		
Input Voltage	100-240 VAC / 100-277 VAC		
Power Factor	≥0.92		
Surge Protection	4kV line-line, 6kV line-earth		
Driver Type	Constant Current (CC)		
Control	DALI Control 1-10v		

DESCRIPTION

The LUMO is integrated with a PC diffuser and offers high efficacy with up to 145lm/w. The luminaires low glare is a stand out feature and results in a comfortable visual experience for students, workers and customers.

OPTIC INFORMATION			
LED Type	SMD		
Luminous Flux (±10%)	13000lm	19500lm	23400lm
Efficacy(5000K Ra70)	130 lm/W		
Correlated Colour Temperature	5000K (3000K, 4000K optional)		
Colour Rendering Index	Ra80 (Ra90 optional)		
Beam Angle	110°		
UGR level	22		

KEY FEATURES

- High lumen output.
- PC reflector design/Anti-glare.
- Dali and 1-10v dimmable.
- CRI>80 as standard, CRI>90 optional.
- Contemporary design.

DIMENSIONS AND MOUNT			
Product Dimension	φ421×385mm(Description φ16.57"×15.16")		
Luminaire Net Weight	4.7 ± 0.3kg (10.36 ± 0.66Lbs)	4.8 ± 0.3kg (10.58 ±0.66Lbs)	5 ± 0.3kg (11.02 ±0.66Lbs)
Export Carton Size	355×355×275mm(13.98"×13.98"×10.83")		
Gross Weight	5.6 ± 0.3kg (12.34 ± 0.66Lbs)	5.8 ± 0.3kg (10.78 ±0.66Lbs)	6.0± 0.3kg (13.23 ±0.66Lbs)
Mounting Option	Loop Hanging		
	Ceiling Hanging		
Material	Aluminium Alloy		
	Tempered Glass or Polycarbonate Optical Lens		
Finish	Powder Coating		
Fixture Colour	White		
EPA	NA		
IK Rating	IK08		
IP Rating	IP65		

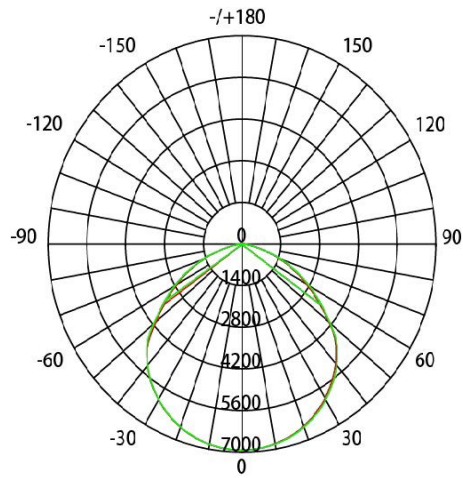
APPLICATIONS

- Retail
- Industrial
- Exhibition
- Halls
- Leisure
- Airports

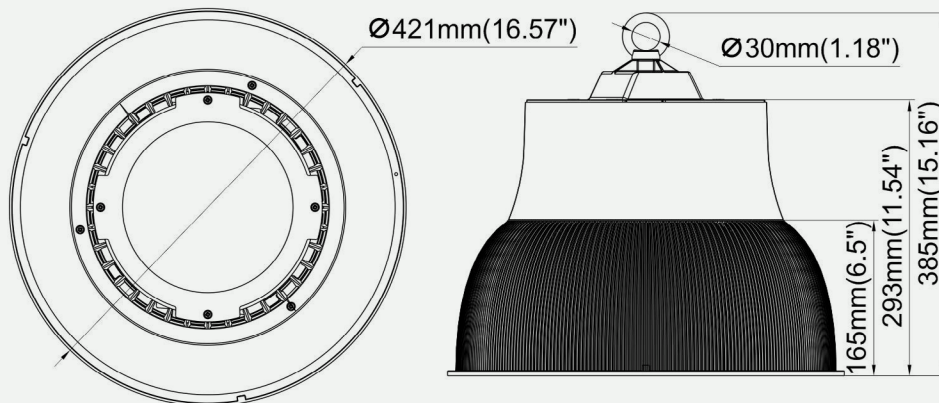
LIFESPAN AND WARRANTY	
Operating Temperature	-30°C to + 50°C(-22°F to 122°F)
Life Time of LED @Ta=25°C	>50,000Hrs (Ta=30°C@L70)
Warranty	5 Years

NEW FEATURES	
<p><i>* Please consult us for details.</i></p>	

PHOTOMETRY



DIMENSIONS



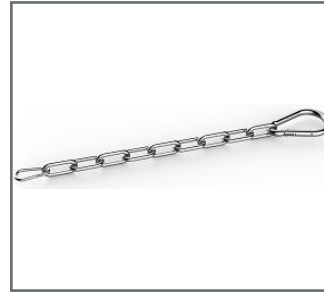
MOUNTING OPTIONS



ACCESSORIES



PC Reflector



Safety Chain

PRODUCT ORDERING CODES

SERIES	POWER	CCT (K)	OPTICS	CONTROL	EMERGENCY	MOUNT	ACCESSORY	FINISH
LHBR	100w	3	110°	DA (DALI)	(EMERGENCY)	L (LOOP HANGING)	SC (SAFETY CHAIN)	W (WHITE)
	150w	4		D(DIMMABLE)		C (CEILING)	PC (PC REFLECTOR)	
	180w	5						

Example order code for 100w, 5K, 110 degree angle, dimmable, loop hanging, safety chain, white
 PRODUCT CODE: LHBR1005110DLSCW
 PRODUCT NAME: LUMO