



DESCRIPTION

LMX's MINI LUMO high-bay is manufactured with design at its core. The snow white lamp body with matching PC diffuser offers exceptional performance across different commercial applications. The integrated PC diffuser with an efficacy of 145lm/w offers soft comfortable lighting with low glare. Stylish and modern in appearance, a perfect solution to your aesthetically demanding spaces.

KEY FEATURES

- 145lm/W.
- Full wattage: 30W, 50W, 75W.
- Low UGR.
- Intelligent control: 1-10V, DALI.
- Contemporary PC reflector.

APPLICATIONS

- Retail
- Office Spaces
- Exhibition Halls
- Museums and Art Galleries
- Manufacturing
- Leisure
- Airports

ELECTRICAL INFORMATION

Model No.	LHBRM-30	LHBRM-50	LHBRM-75
Power Consumption (±5%)	30W	50W	75W
Power Supply	Meanwell		
Input Voltage	100-240 VAC, 50 / 60 Hz		
Power Factor	>0.92		
Surge Protection	6kV line-line, 10kV line-earth		
Driver Type	Constant Current (CC)		
Control	DALI, dimmable		

OPTIC INFORMATION

LED Type	LED 2835		
Luminous Flux (±10%)	4350lm	7250lm	10875lm
Efficacy(5000K Ra80)	145lm/W		
Correlated Colour Temperature	5000K (3000K, 4000K optional)		
Colour Rendering Index	Ra80		
Beam Angle	60°90°120°		
UGR level	22		

DIMENSIONS AND MOUNT

Product Dimension	φ278×276mm (φ10.95" x 10.87")
Luminaire Net Weight	2.5±0.3kg(5.51±0.66Lbs)
Export Carton Size	320x320x315mm(12.6"x12.6"x12.4")
Gross Weight	3.5±0.3kg(7.71±0.66Lbs)
Mounting Option	Loop Mounting
Material	Aluminium Alloy Polycarbonate Optical Lens
Finish	Powder Coating
Fixture Colour	White
EPA	NA
IK Rating	IK08
IP Rating	IP65

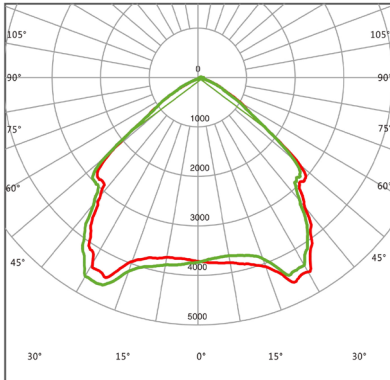
LIFESPAN AND WARRANTY

Operating Temperature	-30°C to + 50°C 35000hrs-L90
Life Time of LED @Ta=25°C	74000hrs-L80 118000hrs-L70
Warranty	5 Years

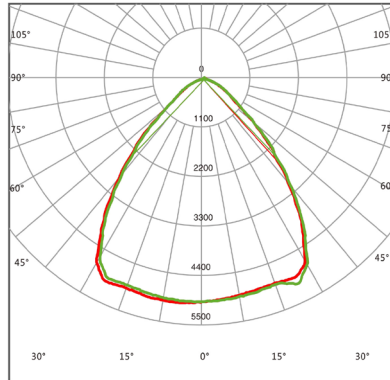
NEW FEATURES

* Please consult us for details.

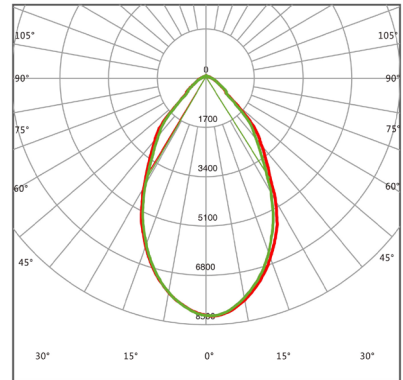
PHOTOMETRY



120°

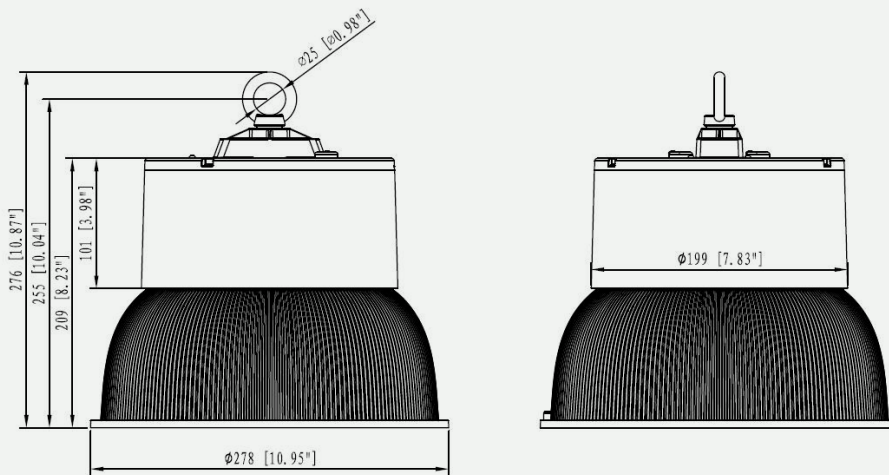


90°



60°

DIMENSIONS



MOUNTING OPTIONS



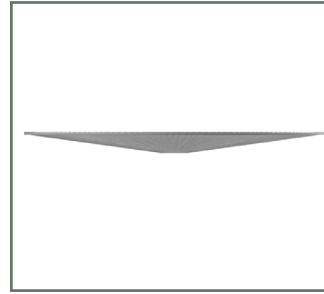
ACCESSORIES



Safety chain

304 stainless steel, available for 0.25m, 1m, 1.5m and 5m long.

Code: SC



PC reflector cover

PC
φ272*16.5mm

Code: PC

PRODUCT ORDERING CODES (LHBRM)

SERIES	POWER	CCT (K)	OPTICS	CONTROL	EMERGENCY	MOUNT	ACCESSORY	FINISH
LHBRM	30w	3	60°	DA (DALI)		L (LOOP HANGING)	SC (SAFETY CHAIN)	WHITE
	50w	4	90°	D (DIMMING 1-10V)			PC (PC REFLECTOR)	
	75w	5	120°					

EXAMPLE PROUDCT CODE For 50w, 4K, 90, degree angle, dali, loop hanging, pc reflector, white
 PRODUCT CODE: LHBRM50490DALPCW
 PRODUCT NAME: MINI LUMO