



DESCRIPTION

LMX's TRIMPAC is low profile, lightweight and designed for long life usage and zero maintenance. With its contemporary design and offering dark sky friendly asymmetric optics, the TRIMPAC is available in a dark bronze or silver finish and is perfect for illuminating walkways around buildings.

KEY FEATURES

- Dark sky friendly.
- Easy hands free installation.
- Photocell option.
- Anti-corrosion proof and IP66 rated.
- Type III distribution.
- 167,000hrs – L70@Ta=25°C.
- Silver or dark bronze finish.

APPLICATIONS

- Security
- Pathway and Perimeter lighting
- Building facades

ELECTRICAL INFORMATION

Model No.	LXW		
Power Consumption (±5%)	20W	30W	70W
Power Supply	TRIDONIC		
Input Voltage	220-240 VAC ,50 / 60 Hz		
Power Factor	≥0.9 at Max Load		
Surge Protection	1KV line-line, 2KV line-earth	4KV line-line, 6KV line-earth	
Driver Type	Constant Current (CC)		
Control	Photocell Control		

OPTIC INFORMATION

LED Type	LED 3030		
Luminous Flux (±10%)	3100LM	4650LM	10150LM
Efficacy (5000K Ra70)	155LM/W		
Correlated Colour Temperature	5000K (3000K,4000K optional)		
Colour Rendering Index	Ra70		
Beam Angle	60x50°	45x150°	
UGR level			

IMENSIONS AND MOUNT

Product Dimension	196 x 96 x 186mm	282 x 125 x 205mm
Luminaire Net Weight	1.42±0.2kg	2.76±0.2kg
Export Carton Size	515x405x240mm(6pcs/ctn) 330x155x235mm(1pcs/ctn)	
Gross Weight	1.62± 0.3kg(3.57± 0.66Lbs)	3.35±0.3kg(1pcs/ctn)
Mounting Option	Junction boxes or Surface mounting	
Material	Cast Aluminium PMMA Lens	
Finish	Polycarbonate Optical Lens	
Fixture Colour	Silver	
EPA	NA	
IK Rating	IK08	
IP Rating	IP66	

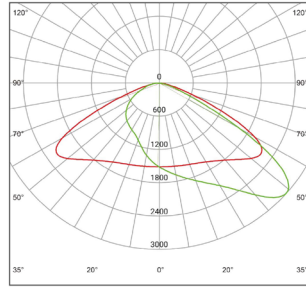
LIFESPAN AND WARRANTY

Operating Temperature	-30°C to + 45°C
Life Time of LED @Ta=25°C	45,000hrs-L90
	100,000hrs-L80
	167,000hrs-L70
Warranty	5 Years

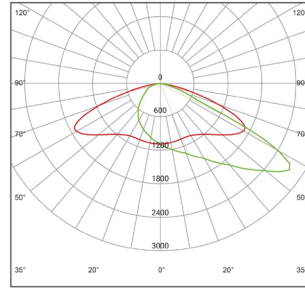
NEW FEATURES

* Please consult us for details.	
----------------------------------	--

PHOTOMETRY

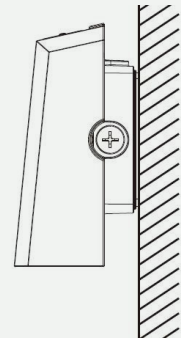
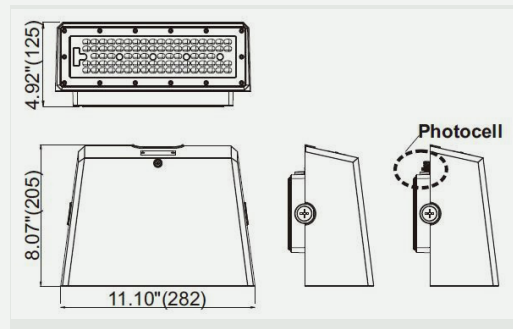
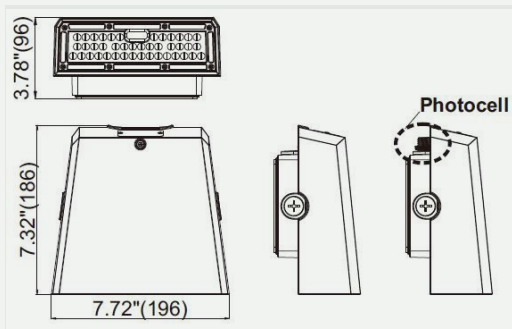


60x50°



45x150°

Mounting Options and Dimensions



PRODUCT ORDERING CODES (TRIMPAC)

SERIES	POWER	CCT (K)	OPTICS	CONTROL	EMERGENCY	MOUNT	ACCESSORY	FINISH
LXW	20w	5	60x150°	P (PHOTOCELL)		S (SURFACE)		S (SILVER)
	30w		45x150°			J (JUNCTION BOX)		BR (BRONZE)
	70w							

EXAMPLE PROUDCT CODE for 70w, 5k, 60X150°, Photocell, junction box, Silver
 PRODUCT CODE: LXW70560150PJS
 PRODUCT NAME: TRIMPAC