



PETAL XTR400

Deployable portable lighting in one bespoke robust package.

Portable
Petal-like
Tripod Light

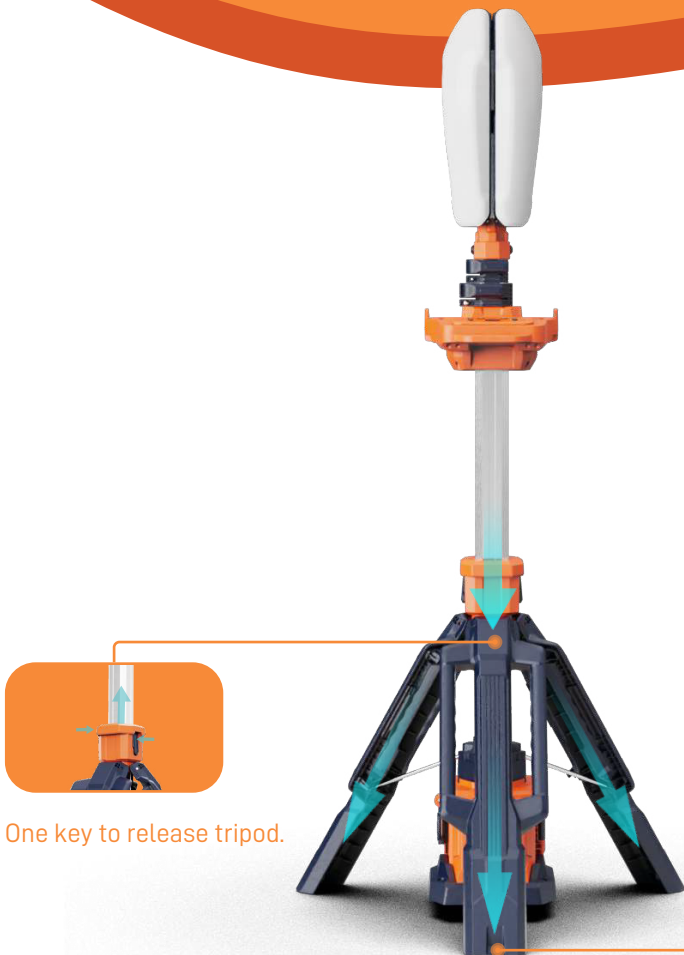


LIGHTER, BRIGHTER, FASTER DEPLOYMENT

Unfolding or folding the XTR400 takes just two steps, in under 10 seconds.



4-level adjustable petal angle, switches from sphere to hemisphere lighting coverage.



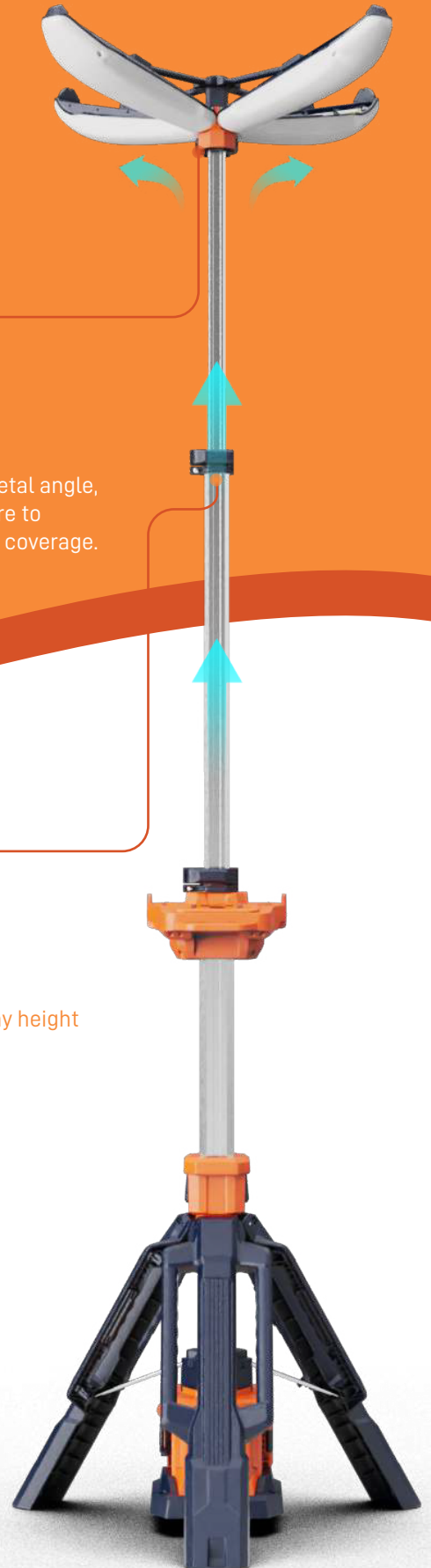
One key to release tripod.



Secure the lamp at any height using the buckle.



Optional ground pegs are available to secure the light, providing wind and vibration resistance.

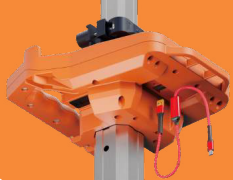


HUMANISED DESIGN HIDDEN IN THE DETAILS



360° Lighting.

Biomimetic petal-inspired design for lightweight spherical/hemispherical lighting product.



USB Output

Dual rainproof USB outputs for charging two devices at once, rain or shine.



Phone Stand

Continue working while charging, the hook here can serve as a phone stand.



Stepless Dimming

Plug the driver into the rainproof port to unlock maximum brightness and stepless dimming.

ULTRA-LONG ENDURANCE

Standard Mode Up To
8+Hours
(D24-100)

2 TYPE OF BATTERY PACKS WITH DIFFERENT CAPACITIES
HAVE SAME CONTACT SLOT.



LX24540

Typical working hours 22 hours on
XTR400 Eco mode.



LX241000

Doubled typical working hours to
45 hours.



Multiple batteries, charging,
and AC power solutions.
Stay powered and productive!

UNIFORM ILLUMINATION WITH 360-DEGREE COVERAGE AND NO DEAD ANGLES



- LIGHTING AREA
1100 M2

AC Powered
Up To **11,000LM**

Battery-powered
Up To **5,000LM**

AC	0-11,000LM Stepless Dimmable	
Battery (4 Mode)	Turbo	5,000LM
	Standard	3,000LM
	Balanced	1,800LM
	Eco	500LM



Welcome to
STOCKTON-ON-TEES
in the Tees Valley

Construction



Maintenance



Infrastructure



Mining



Railway



Emergency



Camping



Sport



One Person Operation

Excluding Battery



1.3m



2.5m



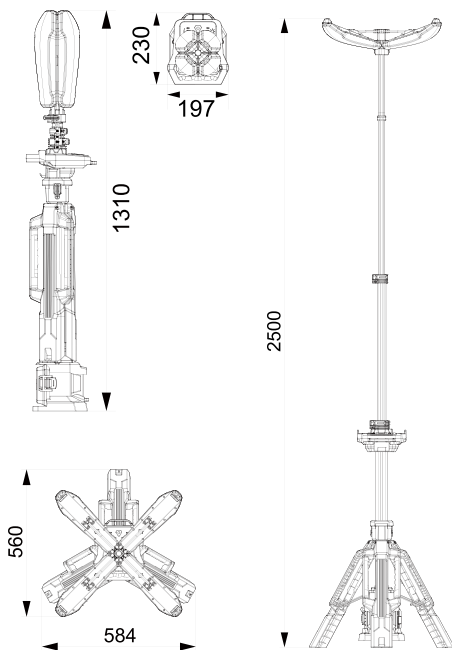
SPECIFICATIONS

XTR400

HEIGHT	1.3m~2.5m
Weight	6.5Kg (Fitting only)
Power Supply	LX241000
Lumens	0 - 11,000Lm
Run Times	>8 hours (Standard mode, D24-100)
IP Grade	IP66
Output(USB)	5V 2A (2 Dock)



Size (mm)



Package

Model	Size of Carton	Gross Weight of Carton	PCS/Carton
XTR400	1355x240x300mm	8.0KG±5%	1



LMXLED LTD



UNIT 8 PARK PLACE NEWDIGATE ROAD HAREFIELD MIDDX UB9 6EJ



01895 348 835



info@lmxled.co.uk